

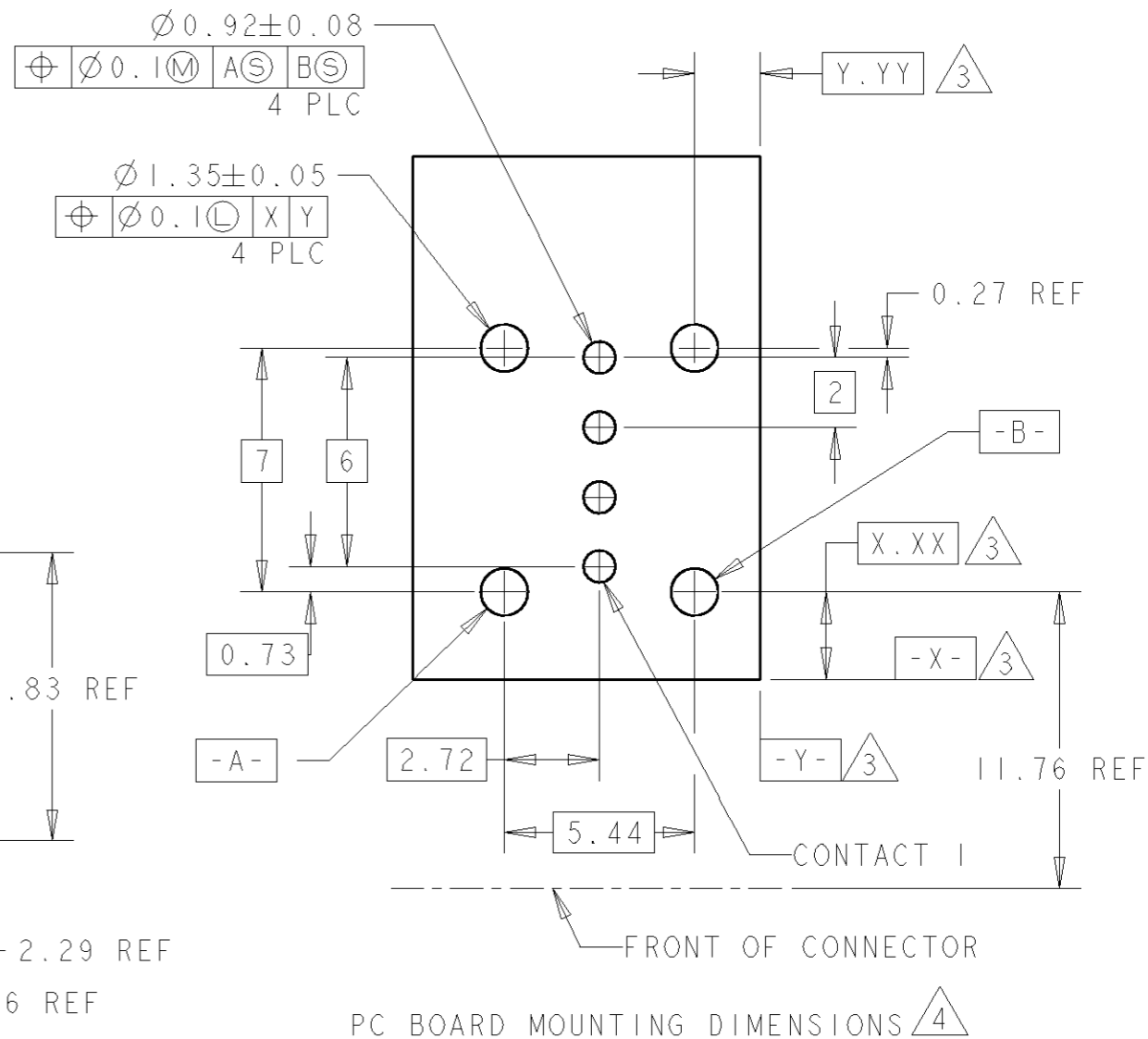
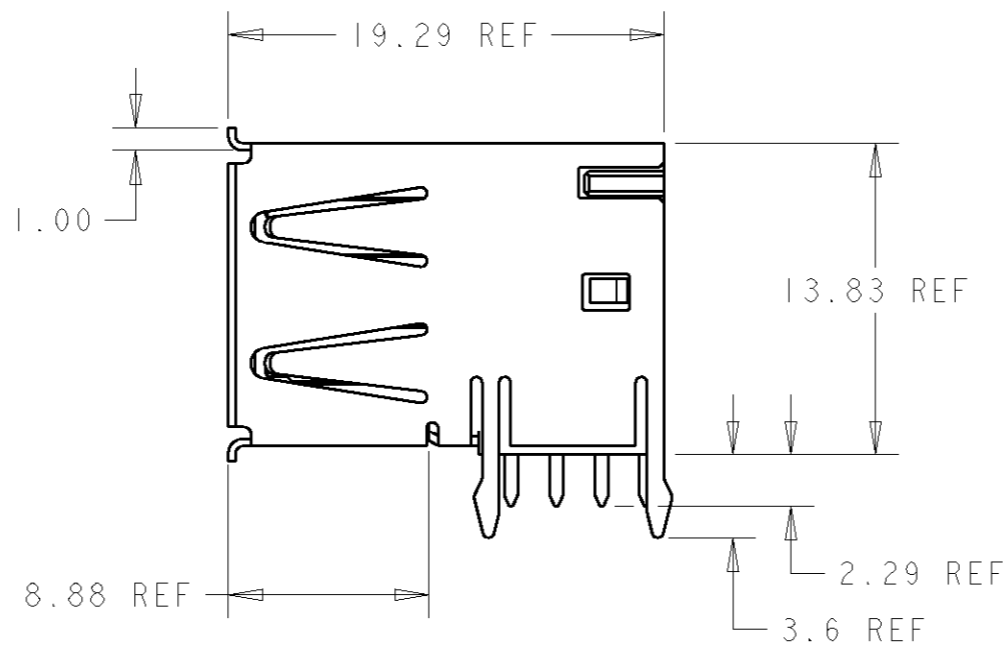
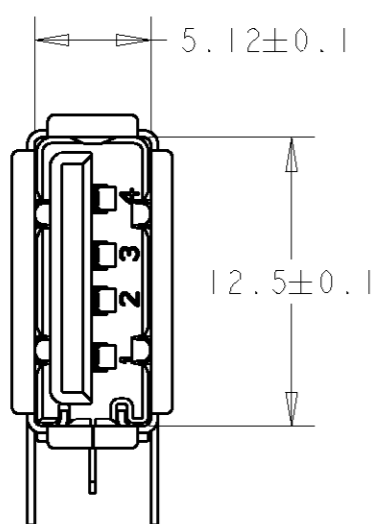
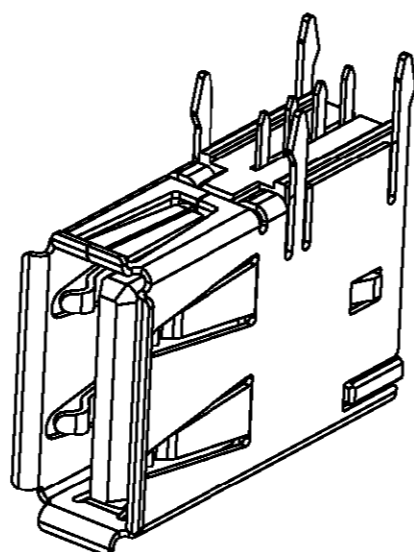
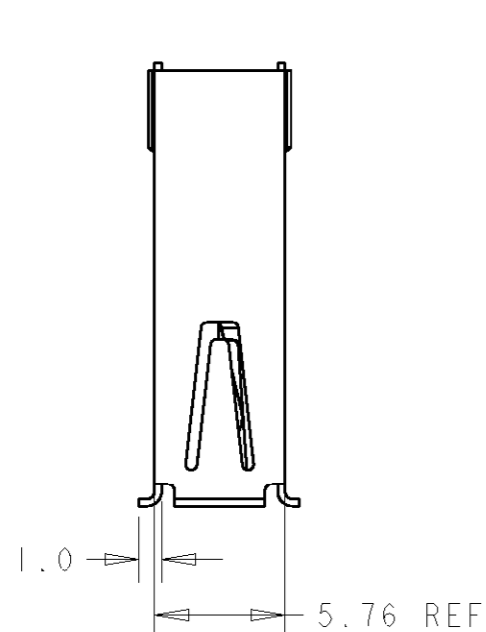
THIS DRAWING IS UNPUBLISHED.

RELEASED FOR PUBLICATION

© COPYRIGHT

ALL RIGHTS RESERVED.

LOC	DIST	REVISIONS			
P	LTR	DESCRIPTION	DATE	DWN	APVD
GP	00	C1	REVISED PER ECO-11-005294	11APR11	RK HMR



- 1 MATERIAL:
CONTACTS- PHOSPHOR BRONZE.
SHELL- COPPER ALLOY.
- 2 PLATING:
CONTACTS- 0.076µm MINIMUM GOLD OVER 0.76µm MINIMUM PALLADIUM-NICKEL ON MATING AREA, 3.8µm MINIMUM TIN-LEAD ON SOLDER TAILS, BOTH OVER 1.27µm MINIMUM NICKEL.
SHELL- 5µm MINIMUM BRIGHT TIN.
CONTACT ALTERNATE PLATING: 0.76µm MINIMUM GOLD ON MATING AREA.
- 3 DATUMS AND BASIC DIMENSIONS ESTABLISHED BY CUSTOMER.
- 4 RECOMMENDED PC BOARD THICKNESS OF 1.57±0.18.
- 5 HOUSING- UL 94V-0 RATED THERMOPLASTIC, NATURAL.
- 6 HOUSING- UL 94V-0 RATED, THERMOPLASTIC, BLACK.

DIMENSIONS: mm		TOLERANCES UNLESS OTHERWISE SPECIFIED:		DWN J.Reitzel 28FEB2003		TE Connectivity	
		0 PLC ±- 1 PLC ±- 2 PLC ±0.13 3 PLC ±- 4 PLC ±- ANGLES ±-		CHR J.GERACE 28FEB2003 APVD M.WALMSLEY 28FEB2003 PRODUCT SPEC APPLICATION SPEC			
MATERIAL SEE TABLE		FINISH -		WEIGHT -		RESTRICTED TO -	
CUSTOMER DRAWING				SCALE 5:1		SHEET 1 OF 1	
				REV C1			

1	5	440260-2
1	6	440260-1
MATERIAL		PART NUMBER